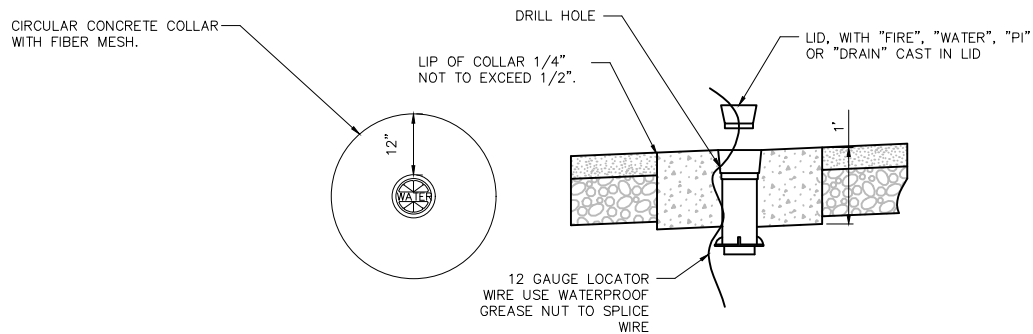


FIRE HYDRANT & WATER VALVE



CULINARY AND SECONDARY WATER VALVE  
CONCRETE COLLAR

NOTE:

1. ALL NON FLG X FJG JOINTS TO BE MECHANICALLY RESTRAINED.
2. FIRE HYDRANTS TO BE INSTALLED ON THE FIRST PROPERTY LINE FROM CORNER.
3. FIRE HYDRANTS MUST BE INSTALLED ON OPPOSITE SIDE OF STREET THAN STORM DRAIN WHEN MIN. 1' CLEARANCE BETWEEN UTILITIES CANNOT BE ACCOMPLISHED.