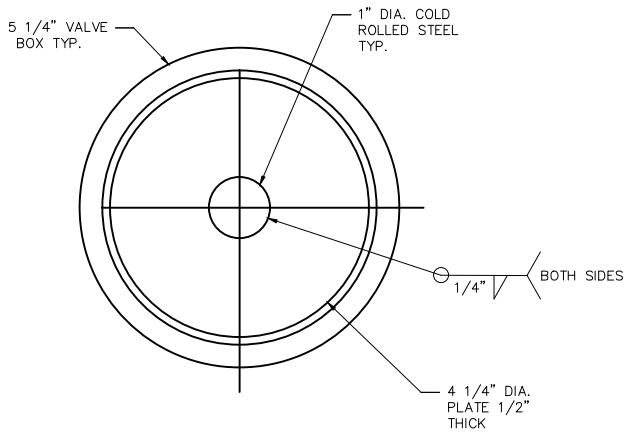
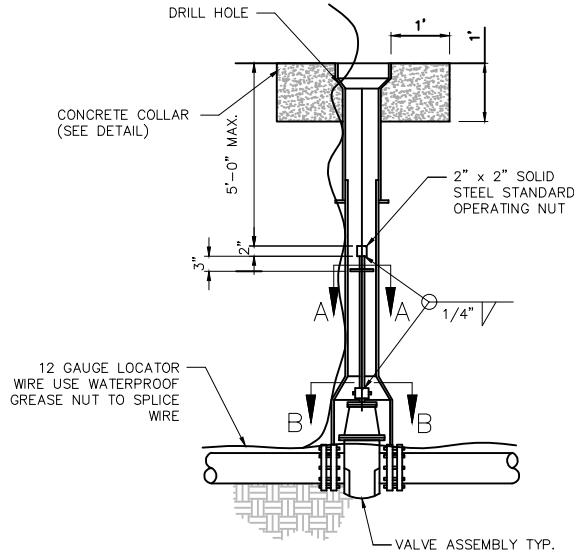
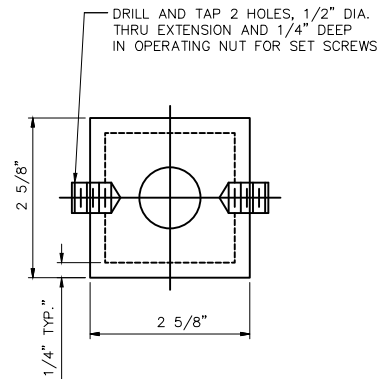


DETAILS ON THIS SHEET TO BE USED ONLY BY PERMISSION OF CITY ENGINEER



SECTION A-A



SECTION B-B

NOTE:
1. HOT DIP GALVANIZED STEM EXTENSION AFTER FABRICATION.