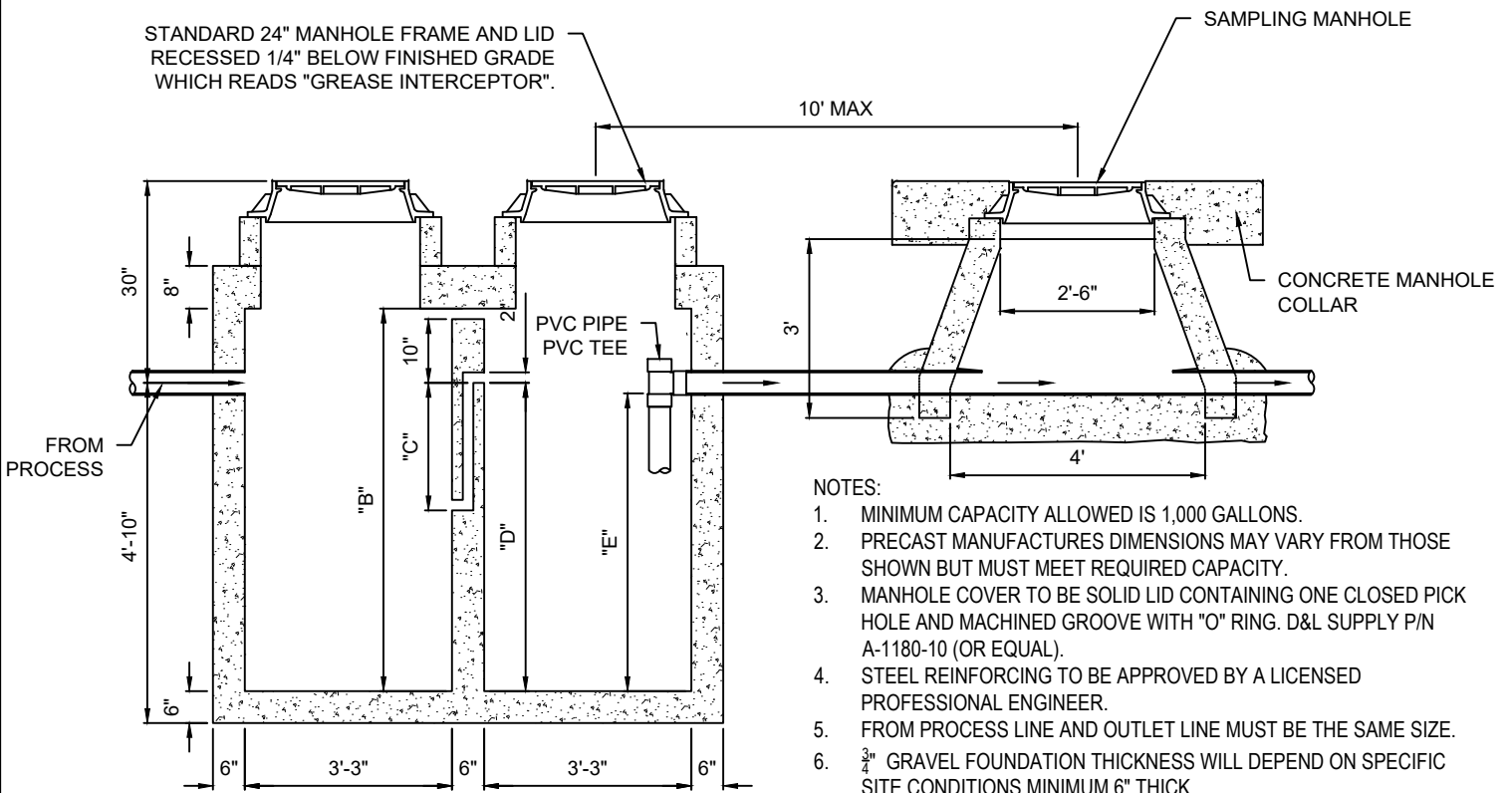


STANDARD 24" MANHOLE FRAME AND LID RECESSED 1/4" BELOW FINISHED GRADE WHICH READS "GREASE INTERCEPTOR".



NOTES:

1. MINIMUM CAPACITY ALLOWED IS 1,000 GALLONS.
2. PRECAST MANUFACTURERS DIMENSIONS MAY VARY FROM THOSE SHOWN BUT MUST MEET REQUIRED CAPACITY.
3. MANHOLE COVER TO BE SOLID LID CONTAINING ONE CLOSED PICK HOLE AND MACHINED GROOVE WITH "O" RING. D&L SUPPLY P/N A-1180-10 (OR EQUAL).
4. STEEL REINFORCING TO BE APPROVED BY A LICENSED PROFESSIONAL ENGINEER.
5. FROM PROCESS LINE AND OUTLET LINE MUST BE THE SAME SIZE.
6. 3/4" GRAVEL FOUNDATION THICKNESS WILL DEPEND ON SPECIFIC SITE CONDITIONS MINIMUM 6" THICK
7. OTHER GREASE INTERCEPTORS MAY BE ALLOWED WITH THE APPROVAL FROM SEWER SUPERINTENDENT.

GREASE TRAP DIMENSIONS PER CAPACITY

CAPACITY	DIMENSION "A"	DIMENSION "B"	DIMENSION "C"	DIMENSION "D"	DIMENSION "E"
1000 GALLON	68"	72"	24"	61"	65"
1200 GALLON	74"	78"	24"	67"	71"